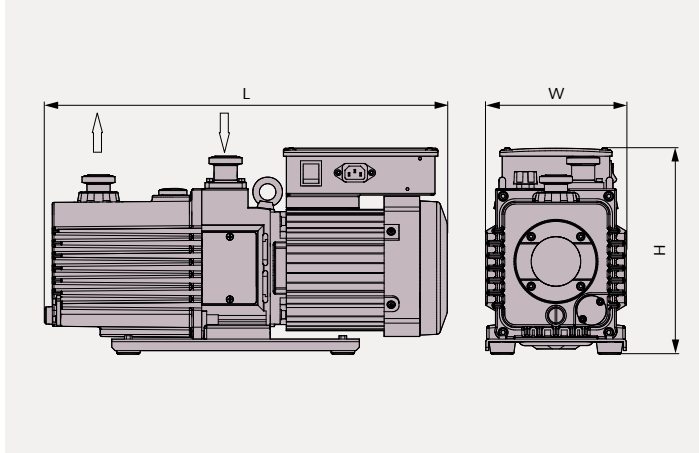


# Zebra

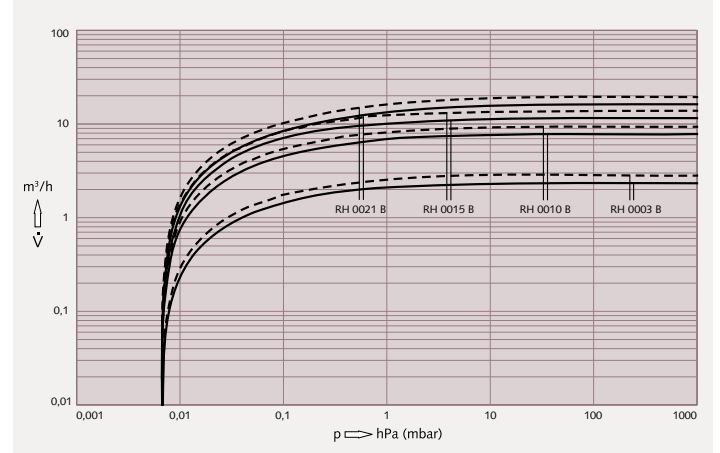
## Two-Stage Rotary Vane Vacuum Pumps RH 0003–0021 B



Zebra RH 0003–0021 B



Pumping speed Air at 20 °C. Tolerance: ± 10% — 50 Hz - - - - 60 Hz



Technical data			RH 0003 B	RH 0010 B	RH 0015 B	RH 0021 B
Pumping speed	50 Hz / 60 Hz	m³/h	2.4 / 2.9	8.1 / 9.7	12.0 / 14.4	16.9 / 20.2
Pumping speed	50 Hz / 60 Hz	l/min	40 / 48	135 / 162	200 / 240	280 / 336
Ultimate partial pressure	Gas-ballast valve closed	hPa (mbar)	$6.7 \cdot 10^{-4}$	$6.7 \cdot 10^{-4}$	$6.7 \cdot 10^{-4}$	$6.7 \cdot 10^{-4}$
Ultimate total pressure	Gas-ballast valve closed	hPa (mbar)	$6.7 \cdot 10^{-3}$	$6.7 \cdot 10^{-3}$	$6.7 \cdot 10^{-3}$	$6.7 \cdot 10^{-3}$
Ultimate total pressure	Gas-ballast valve open	hPa (mbar)	$6.7 \cdot 10^{-2}$	$6.7 \cdot 10^{-2}$	$6.7 \cdot 10^{-2}$	$6.7 \cdot 10^{-2}$
Max. continuous inlet pressure		hPa (mbar)	100	100	100	100
Max. back pressure (gauge)		hPa (mbar)	300	300	300	300
Water vapour capacity	Gas-ballast valve open	g/h	5	38	40	73

Motor data single-phase version						
Nominal motor rating		kW	0.2	0.4	0.55	0.75 – 0.9
Operating voltage		V	100–120 / 200–240	100–120 / 200–240	100–120 / 200–240	115 / 200–240

Motor data three-phase version						
Nominal motor rating		kW		0.4	0.55	0.7
Operating voltage	50 Hz 60 Hz	V		200–240 / 380–415 200–240 / 380–460	200–240 / 380–415 200–240 / 380–460	200–240 / 380–415 200–240 / 380–460

Physical data						
Ambient temperature		°C	7–40	7–40	7–40	7–40
Oil			VSD 026	VMA 055	VMA 055	VMA 055
Oil capacity		l	0.8	1	1.1	1.1
Noise level (ISO 2151)	Single-phase Three-phase	dB(A)	< 52 / < 53 –	< 52 / < 54 < 49 / < 52	< 54 / < 56 < 52 / < 55	< 59 / < 61 < 59 / < 63
Weight approx.	Single-phase Three-phase	kg	16	29 26	31 29	42 34.5
Dimensions (L x W x H)	Single-phase Three-phase	mm	427 x 150 x 228 –	488 x 170 x 250 486 x 170 x 240	516 x 170 x 250 514 x 170 x 240	585 x 182 x 271 536 x 181 x 269
Gas inlet / outlet			ISO-KF 25 / ISO-KF 25	ISO-KF 25 / ISO-KF 25	ISO-KF 25 / ISO-KF 25	ISO-KF 25 / ISO-KF 25

Applicable standards						
Marking			cTUVus	cTUVus	cTUVus	cTUVus

www.buschvacuum.com

Argentina Australia Austria Bangladesh Belgium Brazil Canada Chile China Colombia Czech Republic Denmark Finland France Germany Hungary India Ireland Israel Italy Japan Korea Malaysia Mexico Netherlands New Zealand Norway Peru Poland Portugal Romania Russia Singapore South Africa Spain Sweden Switzerland Taiwan Thailand Turkey United Arab Emirates United Kingdom USA

Technical data is subject to change. Created in Germany. MG PL ZEBRARH00030021B Len 12/2018 9Aa

# Zebra

## Two-Stage Rotary Vane Vacuum Pumps RH 0003–0021 B



Article numbers, Busch Genuine Accessories and Spare Parts	RH 0003 B	RH 0010 B	RH 0015 B	RH 0021 B
<b>With single-phase motor</b>				
100–120 / 200–240 (50 / 60 Hz)	1141168791	1141168792	1141168795	–
115 / 200–240 (50 / 60 Hz)	–	–	–	1141168797
<b>With three-phase motor</b>				
200–240 / 380–460 (50 / 60 Hz)	–	1141168793	1141168796	1141168798
<b>Inlet accessories*</b>				
Inlet filter FIL 0040	0530168811			
Spare polyester filter element for FIL 0040	0532121861			
Special purpose filter element for FIL 0040	on request			
<b>Outlet accessories**</b>				
Oil mist separator OMS 0003	0960168804	–	–	–
Spare filter element for OMS 0003	0532169042	–	–	–
Oil mist separator OMS 0021	–	0960168805		
Spare filter element for OMS 0021	–	0532169043		
<b>Other accessories</b>				
Gas-ballast valve	included			
<b>Oil</b>				
VSD 026, 1L	0831169419	–	–	–
VMA 055, 1L	–	0831169415		
VMA 055, 5L	–	0831169416		
<b>Maintenance kits</b>				
Minor maintenance kit	0992168912	0992168944	0992168946	0992168948
Major maintenance kit	0993168943	0993168945	0993168947	0993168949
<b>Cord sets</b>				
Europe	supplied with open wire power cord		included	
North America NEMA 5 / 15, 2 metres	–	0659930583		
North America NEMA 6 / 15, 2 metres	–	0659930582		
Other cord sets	–	on request		

\*All filters include housing, polyester filter element and mounting hardware.  
\*\*All oil mist separators include housing, filter element and mounting hardware.